

A large, abstract image of blue and white foam, resembling a close-up of a sea anemone or a similar marine organism. The foam is textured and layered, with various shades of blue and white. It occupies the left half of the page.

MARLEY TECHNICAL SERVICES



WHAT TECHNICAL SERVICES DO WE OFFER YOU?

Designing the most efficient drainage system for a project is a skill for which the Marley Technical Services team are renowned.

As experts in their field, and with combined experience of over 100 years, they are best placed to answer any queries, as well as being able to advise on design and layout.

Marley Plumbing & Drainage provide technical support to all those involved with the specification and installation of their products. This enables a specialist team to give detailed advice on the best way of utilising the extensive range of products and systems manufactured by the company for building services.

Customers who make a commitment to use Marley Plumbing and Drainage products may benefit from the free design service which is offered for above ground drainage and rainwater systems.

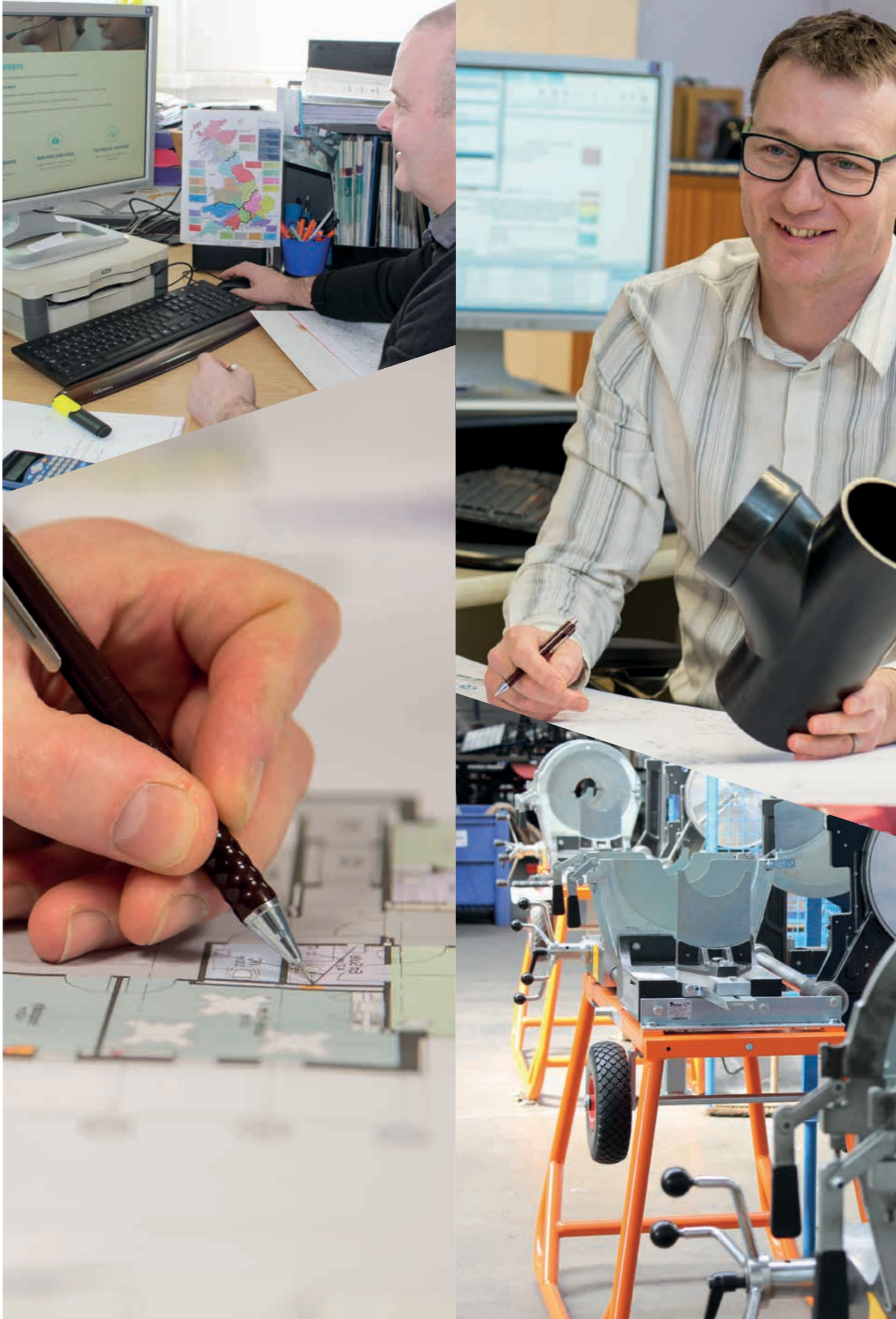
DESIGN SERVICES

By providing us with the relevant drawings, we are able to produce 2D schematic layouts for the soil and waste systems within your building. All of our design engineers have installation experience so are best placed to make sure your soil and waste system is efficient and conforms to current regulations. The result of your request will be an easy-to-read 2D schematic and a schedule of materials for the project.

To request our design service, please contact your local Sales Manager*.

To help us with your request, please supply us with the following information:

- Floor plan drawings showing positions of sanitary appliances together with SVP positions.
- Underground drainage layouts if Durgo AAV's are to be used.
- Details of the type of soil system required – PVC, HDPE or Acoustic.
- Details of the material of waste required – PVC, ABS or Polypropylene.
- Method of jointing – solvent weld or push-fit.



VALUE ENGINEERING

We may be able to advise cost savings using our value engineering techniques. All of our advisers have valuable installation experience which enables us to evaluate systems to ensure they are not over-engineered, yet comply with regulations.

Value engineering is standard practice on our design or material take-off services. Please send your project details via your local Sales Manager*.

TECHNICAL ADVICE

A dedicated phone line and email address staffed by a qualified and experienced team. The team who answer the technical hotline can assist you with any query including installation advice, product information and specification, website navigation, problem solving, special fabrications and system compliance questions.

FABRICATIONS SERVICE

Save time on site by utilising the skills at Marley to build your bespoke stacks.

The Technical team will provide support throughout the design process, creating drawings for each stack element and liaising with the Fabrications team to ensure that every detail is to specification.

The Fabrications team will pre-build the soil stacks in a controlled factory environment, to project specifications and to the highest quality, with pressure testing on each stack as standard.

The Logistics teams will transport the assembled stacks to site, using a fleet of new state-of-the-art vehicles, designed to transport products safely and efficiently.

For all fabrications enquiries, please speak to your local Sales Manager* who will take you through the fabrications process.

* A member of our Customer Services team will be happy to supply details of your local Sales Manager, if you do not have them – call Customer Services on **01622 852585**.



RAINWATER CALCULATIONS

By providing Technical Services with roof plans and elevation drawings we can advise on our most suitable eaves gutter system.



MATERIAL TAKE-OFFS

By providing us with the appropriate drawings listed below, we are able to provide you with a list of the materials required for your project.

For rainwater

- Elevation drawings of the building, showing the rainwater pipe locations.
- Roof plans.
- Type of gutter system and desired colour.

For soil & waste

- Floor plans showing the location of sanitary appliances and SVPs.
- Method of jointing – solvent weld or push-fit.

For underground

- Drainage layout showing foul and surface water systems, including pipe sizes.
- Invert and cover levels for inspection chambers.

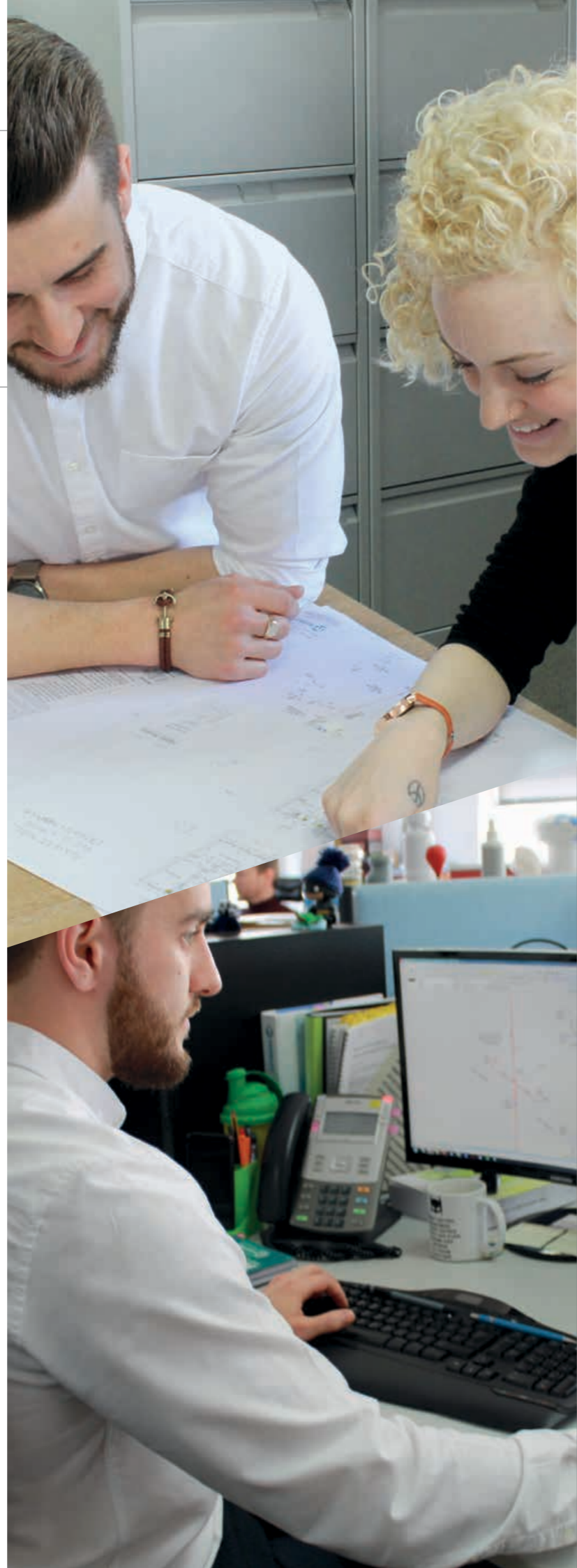
To request our material take-off service please send the details via your local Sales Manager*.

* A member of our Customer Services team will be happy to supply details of your local Sales Manager, if you do not have them – call Customer Services on 01622 852585.



CAD FILES

2D CAD files are available for the Marley range of products and can be downloaded from www.marleypd.co.uk or via www.fastrackcad.com



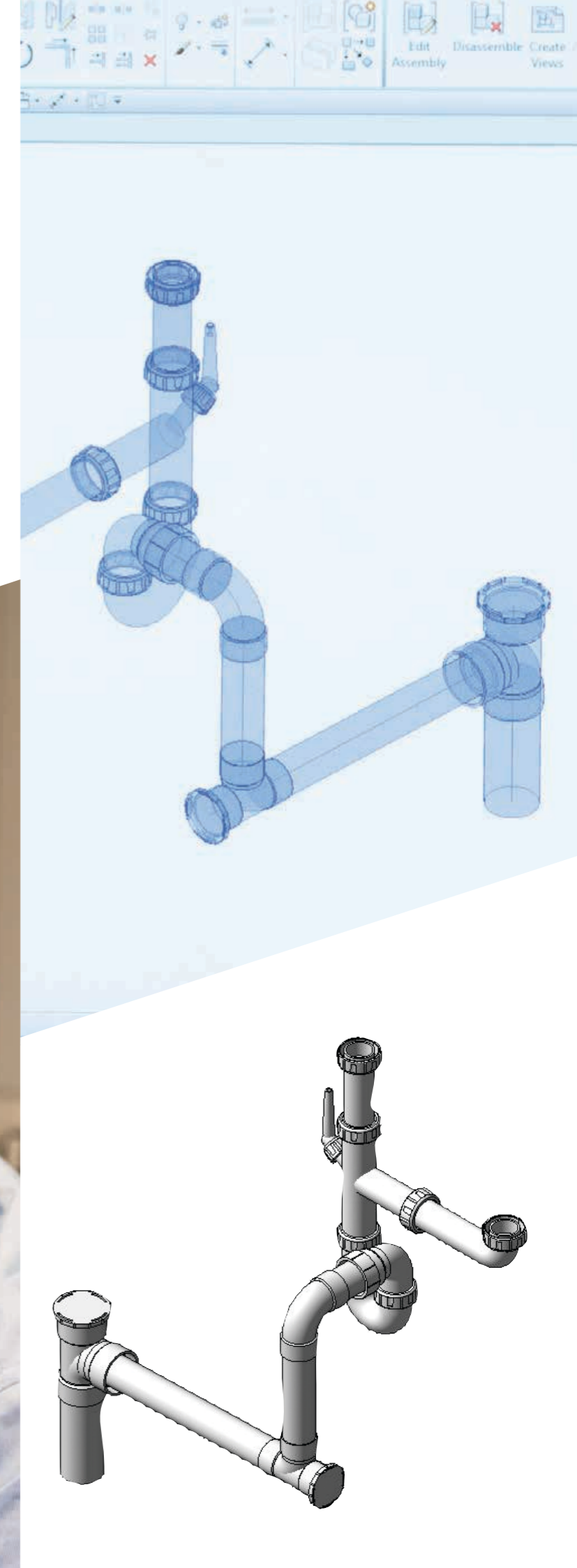
BUILDING INFORMATION MODELLING OBJECTS

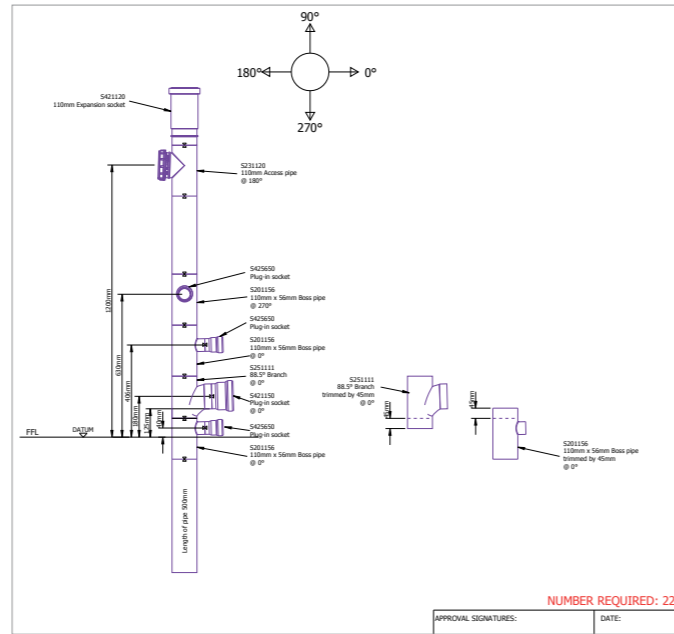
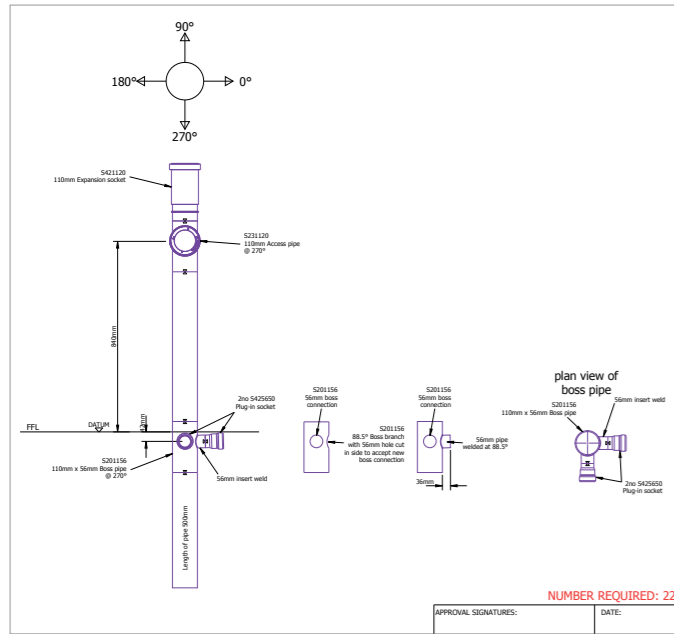
Using BIM technology at the design stage of a project helps to detect clashes within a building, instead of experiencing them on site. How the sanitary pipework system fits within these constraints can now be tested using the Marley BIM files.

The Marley BIM objects have been designed in Revit with all of the latest COBie data and are available to download from:

www.marleypd.co.uk or www.bimstore.co.uk/manufacturers/marley-plumbing-and-drainage

If you have a question about our BIM objects or have some feedback on our BIM library, simply email: BIM@marleypd.co.uk with your comments.





CPD SEMINARS

Continuing Professional Development

We offer several Continuing Professional Development (CPD) seminars approved by RIBA and CIBSE.

These seminars can be delivered at your offices and are usually held during lunchtime. We are happy to fund a light lunch for all delegates.

Aimed at the construction industry professional, these seminars are designed to help further in the understanding of the following subjects:

- A guide to modern concealed sanitary systems
- The benefits of using an acoustic drainage system
- A guide to sanitary pipework design

For further details or to arrange an appointment speak to our CPD support team by emailing cpd@marleypd.co.uk



SPECIAL FABRICATIONS

If your building requires a fabricated product such as an unusual gutter angle, our technical team can evaluate the feasibility and provide a solution.

Please email customerservice@marleypd.co.uk with your initial enquiry.



Our technical team can help you specify the system you need

Years of experience mean that we can support you throughout your design process and assist with any technical and installation requirements.

BELOW ARE JUST A FEW EXAMPLES OF THE TECHNICAL SERVICES WE OFFER



marleypd.co.uk

For general enquiries and details of your nearest stockist please call the customer services department:

Tel: 01622 852585

Email: customerservice@marleypd.co.uk

To place an order

For delivery to **England & Wales**

Email: orders.lenham@marleypd.co.uk

Fax: 01622 851111

For delivery to **Scotland**

Email: orders.uddingston@marleypd.co.uk

Fax: 01698 810307

For all estimate requests

Email: estimates@marleypd.co.uk

For assistance or feedback on our BIM library

Email: BIM@marleypd.co.uk

For Technical advice please call

01622 852695

Head Office

Lenham, Maidstone
Kent ME17 2DE

Tel: 01622 858888

Fax: 01622 851111

Email: marketing@marleypd.co.uk

Scotland

Birkenshaw Industrial Estate
Uddingston, Glasgow G71 5PA

Tel: 01698 815231

Fax: 01698 810307

an *OAliaxis* company